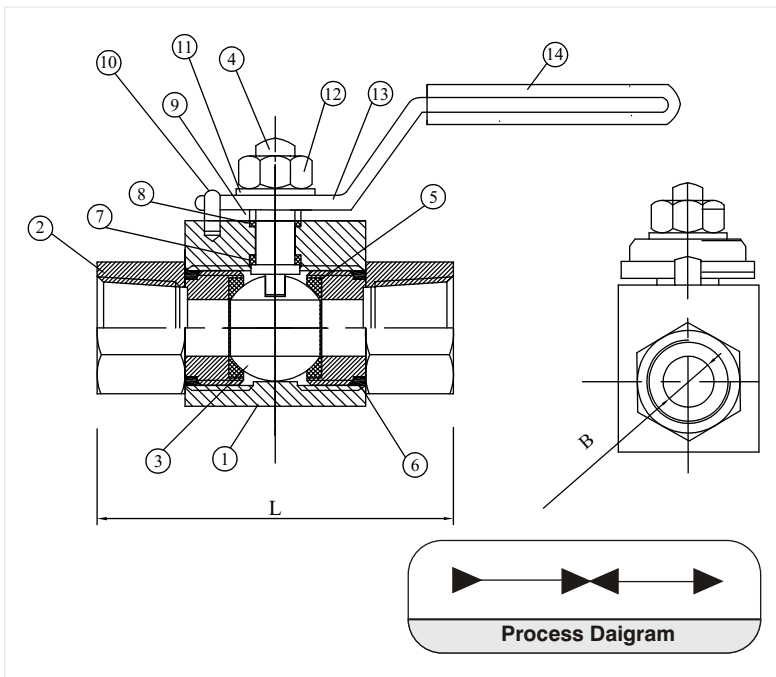


BALL VALVE

MODEL CODE : KBV4

Instrumentation Ball Valve one piece ball stem ensures alignment of stem and orifice it reduce potential leak points does not require system pressure to seal is easily cleaned and purged available in square and round Body



MATERIAL OF CONSTRUCTION			
Sr.No	DESCRIPTION	MATL.	QTY.
1	BODY	SS 316	1
2	CONNECTIONS	SS 316	2
3	BALL	SS 316	1
4	STEM	SS 316	1
5	SEATS	DELTRIN/PEEK	2
6	JOINT SEAL	VITON	2
7	GLAND SEALS	P.T.F.E.	1
8	BACK UP SEAL	P.T.F.E.	1
9	RETAINER	SS 304	1
10	STOP PIN	SS 304	1
11	WASHER	CS PLATED	1
12	STEM NUT	CS PLATED	1
13	HANDLE	CS PLATED/SS	1
14	SLEEVE	P.V.C.	1

Material of Construction	
C	= Carbon Steel
S	= SS 316 (std)
S4	= SS 304
SL	= SS 316L
M4	= Monel 400
M5	= Monel 500
H	= Hastelloy C

INLET	OUTLET	TPR.6000PSI		TPR.10000PSI	
		L	B	L	B
1/4"NPT(F)	1/4"NPT(F)	58	6.4	65	6.4
3/8"NPT(F)	3/8"NPT(F)	60	8.5	68	8.5
1/2"NPT(F)	1/2"NPT(F)	75	11.5	80	11.5
3/4"NPT(F)	3/4"NPT(F)	80	19	85	19
1"NPT(F)	1"NPT(F)	87	25	95	25
1 1/4"NPT(F)	1 1/4"NPT(F)	112	32	125	32
1 1/2"NPT(F)	1 1/2"NPT(F)	120	38	135	38
2"NPT(F)	2"NPT(F)	130	50	150	50

Optional : KBV 10 - High pressure Ball valves for 10,000 psi pressure

NOTE:

* Dimensions Are For Reference Only. Subject To Change.

HOW TO ORDER

BASIC MODEL : KBV4, BV10

Body Material	Stem Packing	Size = P x P1	Connections (inlet x outlet)	Threads
C = Carbon Steel	P = PTFE	22 = 1/8" x 1/8"	FF = Female x Female	N = NPT (ANSI B 1.20.1)
S = SS 316	G = Grafoil	24 = 1/4" x 1/4"	MF = Male x Female	P = BSPP (BS 2779, ISO 228/1)
S4 = SS 304		33 = 3/8" x 3/8"	MM = Male x Male	B = BSPT (BS 21, ISO 7/1)
SL = SS 316L		44 = 1/2" x 1/2"	SW = Socket Weld	
M4 = Monel 400		66 = 3/4" x 3/4"	TT = Tube x Tube	
M5 = Monel 500		88 = 1" x 1"		
H = Hastelloy C				
B = Brass				

OPTIONS

- CE : Carbon Steel Plated Handle.
- SE : SS Handle
- TF : Compliance to NACE standard MR-0175.
- GH : Material test certificate
- GO : Hydro test certificate
- RB : Round Body (Low Pressure Below 3000 psi)
- SB : square body (High Pressure Above 3000 psi)

Example

To place an order simply refer to the codes in the table.

Valve Type : Body Material + Stem Packing + Size + Connections + Threads + Options

KBV4 : S + P + 44 + FF + N = KBV4 - S - P - 44 - FF - N - Options

Note -

The weld prepared types are available with a male-or-female plain end - suitable for socket weld, or male butt weld end. Always specify pipe schedule and further requirements when ordering valves for welded or Flange connections. Panel mounting option for installation in racks and panels.

Standard Valve Materials

Valve	Body	Bonnet	Stem	Tip
Carbon Steel	CS A105	CS A105	SS 304	SS 304
Stainless Steel	SS 316	SS 316	SS 316	SS 316
Monel	Monel	Monel	Monel	Monel